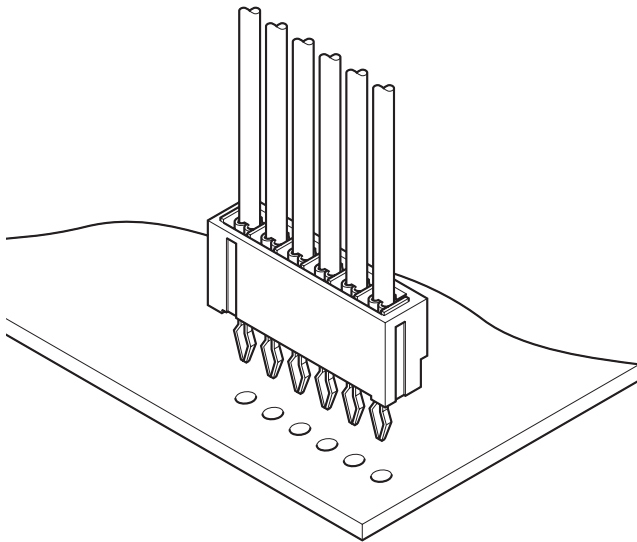


SAN CONNECTOR

2.0mm pitch/Board-in Crimp style connectors



Measuring 2.0mm in pitch, 6.0mm in mounting height, and 3.25mm in thickness, this board-in connector meets the needs for high-density mounting on printed circuit boards efficiently and economically. The connector is ideal for VCRs, car stereo systems, audio products and many other consumer oriented electronic products.

- Compact
- Housing lances
- Easy mounting onto printed circuit boards
- Two types of contacts

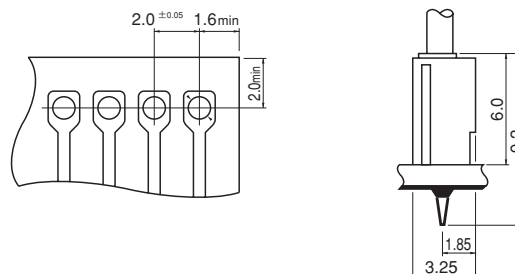
Specifications

- Current rating: 2A AC, DC (AWG #24)
- Voltage rating: 250V AC, DC
- Temperature range: -25°C to +85°C
(including temperature rise in applying electrical current)
- Insulation resistance: 1,000M Ω min.
- Withstanding voltage: 800V AC/minute
- Applicable wire: AWG #30 to #24
- Applicable PC board thickness:
 - Type A contact: 1.2mm, 1.6mm
 - Type B contact: 1.6mm
- * Compliant with RoHS.
- * Refer to "General Instruction and Notice when using Terminals and Connectors" at the end of this catalog.
- * Contact JST for details.

Standards

- Ⓜ Recognized E60389
- Ⓢ Certified LR20812

PC board layout (viewed from soldering side) and Assembly layout



Note: 1. Tolerances are non-cumulative: $\pm 0.05\text{mm}$ for all centers.

*Type A $0.8^{+0.1}$ dia.

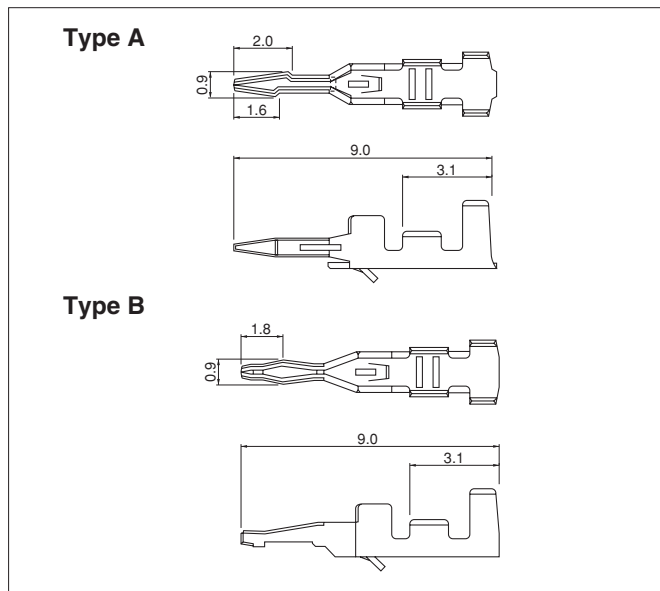
*Type B 2 to 7 circuits: 0.75 ± 0.05 dia.

8 to 15 circuits: 0.85 ± 0.05 dia.

2. Hole dimensions differ according to the kind of PC board and piercing method. The dimensions above should serve as a guideline. Contact JST for details.

SAN CONNECTOR

Contact



Model No.	Type	Applicable wire		Insulation O.D.(mm)	Q'ty / reel
		mm ²	AWG #		
SAN-002T-0.8A	A	0.05~0.22	30~24	0.9~1.3	14,000
SAN-002T-0.8K	B				

Material and Finish

Brass, tin-plated (reflow treatment)

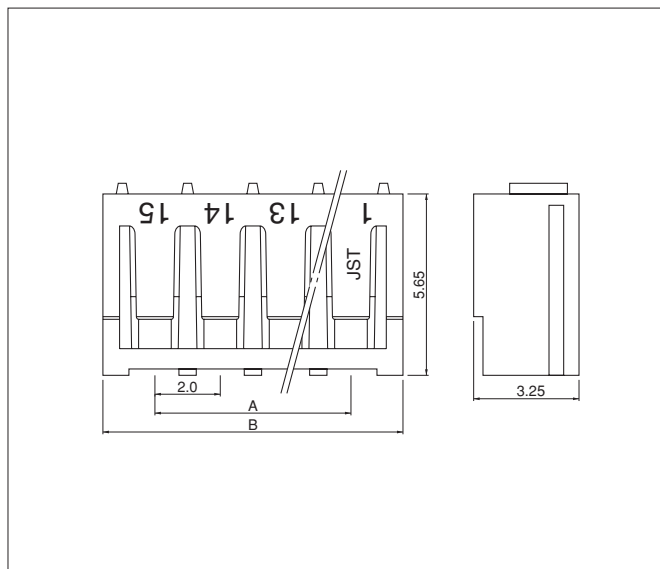
RoHS compliance

Note: Contact JST if you require shielded wires, thin wires or other special wires.

Contact	Crimping machine	Applicator		
		Crimp applicator	Dies	Crimp applicator with dies
SAN-002T-0.8A	AP-K2N	MKS-LS · MKS-L	MK/SAN-002-08	APLMK SAN002-08
SAN-002T-0.8K		*MKS-SC	SC/SAN-002-08	APLSC SAN002-08

Note: *Strip-crimp applicator

Housing



Circuits	Model No.	Dimensions (mm)		Q'ty / bag
		A	B	
2	2P-SAN	2.0	5.2	1,000
3	3P-SAN	4.0	7.2	1,000
4	4P-SAN	6.0	9.2	1,000
5	5P-SAN	8.0	11.2	1,000
6	6P-SAN	10.0	13.2	1,000
7	7P-SAN	12.0	15.2	1,000
8	8P-SAN	14.0	17.2	1,000
9	9P-SAN	16.0	19.2	1,000
10	10P-SAN	18.0	21.2	1,000
11	11P-SAN	20.0	23.2	1,000
12	12P-SAN	22.0	25.2	1,000
13	13P-SAN	24.0	27.2	1,000
14	14P-SAN	26.0	29.2	1,000
15	15P-SAN	28.0	31.2	1,000

Material

PA 66, UL94V-0, yellow

RoHS compliance

<For reference> As the color identification, the following alphabet shall be put in the underlined part. For availability, delivery and minimum order quantity, contact JST.

ex. **2P-SAN-o**
(blank)...yellow K...black W...white R...red